

**Food Processor
 Stainless Steel Cutter Mixer - 17.5 LT - 2
 Speeds with Microtoothed Blade, Bowl
 and Scraper**

ITEM # _____

MODEL # _____

NAME # _____

SIS # _____

AIA # _____



600086 (K180S2)

* NOT TRANSLATED *

Main Features

- Productivity suitable for 100-300 meals per service, up to 8 kg per cycle.
- Food processor allows fast liquidizing, mixing, mincing, chopping and pastry-making.
- Delivered with:-17.5 liter stainless steel bowl with max liquid level indication to avoid spillage-micro toothed perforated blade-scraper
- Angled perforated knives and conical base of the bowl ensure consistent mixing.
- Lid with central opening to add ingredients in mid-cycle.
- Base fixed cover for a better handling.
- Cover metal frame to ensure seal water tightness to avoid leakage.
- All parts in contact with food are removable without tools and completely dismountable.
- Pulse function to coarse chopping.

Construction

- 304 AISI stainless steel bowl with leak resistant spout and handles, easy to manage.
- Scraper with SS handle, easy to dismount.
- 2 speeds: 1500 and 3000 rpm.
- Power: 3600 watts.
- IP65 touch button control panel.
- Cover handle with double safety locking system.
- Transparent BPA free cover incorporates a magnetic safety system which stops the machine if lid is not properly closed.
- A safety device requires to press the start button to restart the machine after a power cut.
- Asynchronous silent industrial motor for heavy duty and longer life.

Included Accessories

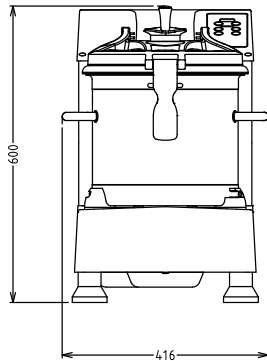
- 1 of - NOT TRANSLATED - PNC 650046
- 1 of - NOT TRANSLATED - PNC 650047
- 1 of - NOT TRANSLATED - PNC 650074

Optional Accessories

- - NOT TRANSLATED - PNC 650046
- - NOT TRANSLATED - PNC 650047
- - NOT TRANSLATED - PNC 650074
- Stainless steel mobile stand. Height: 730 mm PNC 653017
- Smooth blade rotor for 17,5 lt cutter mixer PNC 653119
- Serrated blade rotor for 17,5 lt cutter mixer PNC 653120
- Serrated blade rotor for meat for 17,5 lt cutter mixer PNC 653539

APPROVAL: _____

Front


Electric
Supply voltage:

600086 (K180S2) 380-415 V/3 ph/50 Hz

Electrical power max.:

3.6 kW

Total Watts:

3.6 kW

Capacity:
Performance (up to):

8 kg/Cycle

Capacity:

17.5 litres

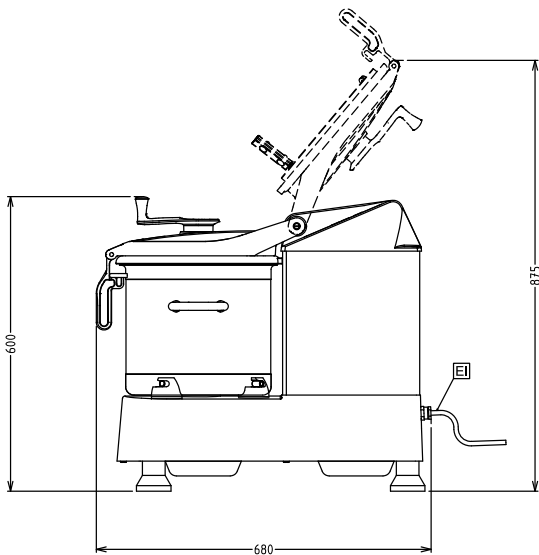
Key Information:
External dimensions, Width: 416 mm

External dimensions, Depth: 680 mm

External dimensions, Height: 603 mm

Shipping weight: 80 kg

Side



EI = Electrical inlet (power)

Top

